

Technical data sheet



Product features

Boiling kettle gas indirect 100 l

Model

SAP Code

00012283



- Device type: Gas unit
- Device heating type: Indirect
- Ignition: Piezo+večný plamen
- Steam pressure regulation: Mechanical - the valve releases steam at high pressure
- Filling: Mechanical cock
- Jacket filling: Semi-automatic
- Drain: Yes
- Drain valve diameter: 2"
- Basin volume [l]: 100
- Usable volume [l]: 96

SAP Code	00012283	Type of gas	Natural gas, propane butane
Net Width [mm]	800	Basin volume [l]	100
Net Depth [mm]	900	Usable volume [l]	96
Net Height [mm]	900	Device heating type	Indirect
Net Weight [kg]	140.00	Steam pressure regulation	Mechanical - the valve releases steam at high pressure
Power gas [kW]	22.500		

Technical data sheet



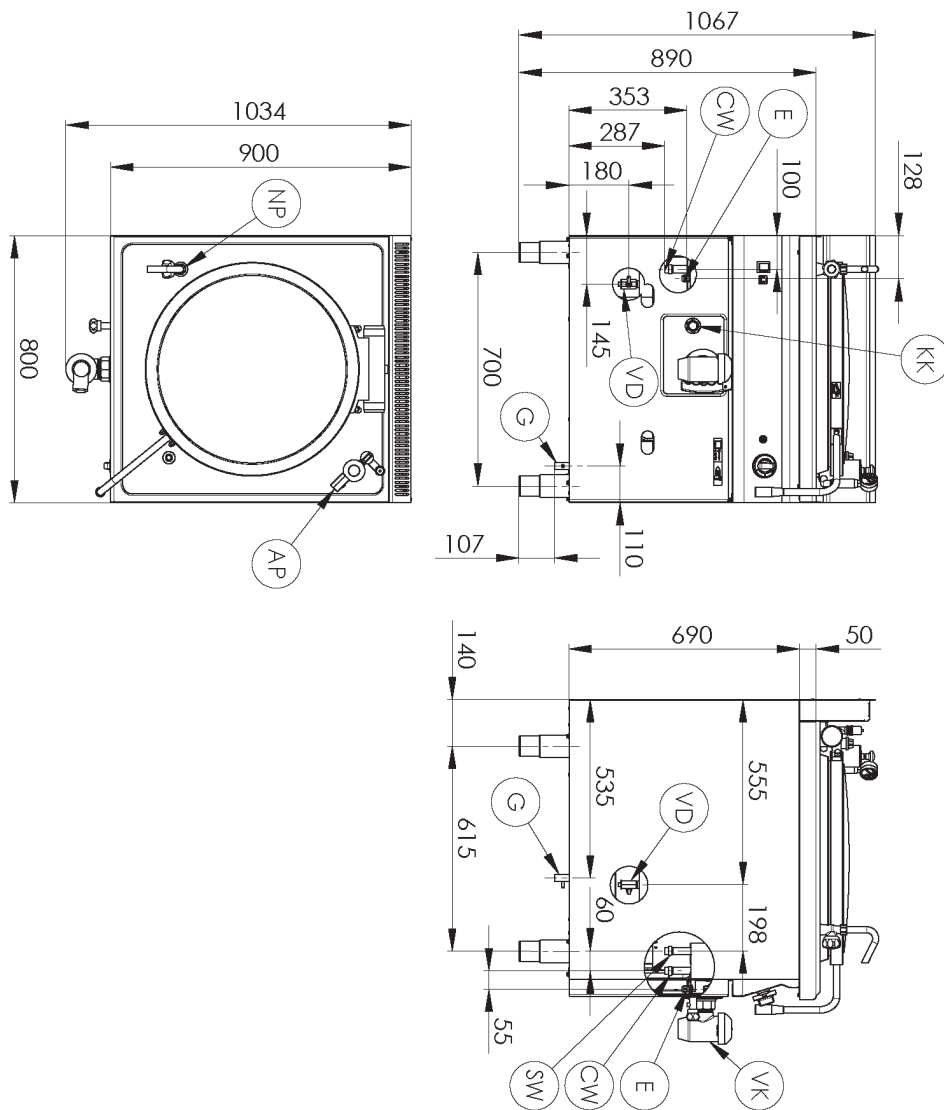
Technical drawing

Boiling kettle gas indirect 100 l

Model

SAP Code

00012283



Boiling kettle gas indirect 100 l

Model

SAP Code

00012283

1

Safety element – thermocouple

safe service for staff
there is no unnecessary gas leakage
long life

- savings on service interventions
- easier and faster operation

2

Semi-automatic tolerance

maintenance-free system
the absence of a probe that can become calcified
long life

- savings on service interventions
- avoidance of losses due to interruption of plant operation

3

Degree of protection of the control elements IPX4

maintenance-free system
resistance to splash water
long life

- savings on service interventions
- easy cleaning and maintenance of equipment

4

Smart handle

protection against scalding when lifting the lid
easy handling to operate at any height

- high security
- fewer health problems caused by poor ergonomics

5

Duplicator bottom AISI 316

protection against scalding when lifting the lid
easy handling to operate at any height

- savings on service interventions
- avoidance of losses due to interruption of plant operation

6

All-stainless design including bottom

the material does not rust, including the bottom
wear resistance of AISI 304 material
long life

- savings on service interventions
- easy cleaning and maintenance of equipment

7

Top pressed plate

it prevents overflowing liquid from running into the controls or onto the operator's feet

- eliminates problems with possible malfunctions
- increases user comfort

Technical data sheet



Technical parameters

Boiling kettle gas indirect 100 l

Model	SAP Code	00012283
--------------	-----------------	----------

1. SAP Code:

00012283

2. Net Width [mm]:

800

3. Net Depth [mm]:

900

4. Net Height [mm]:

900

5. Net Weight [kg]:

140.00

6. Gross Width [mm]:

970

7. Gross depth [mm]:

840

8. Gross Height [mm]:

1160

9. Gross Weight [kg]:

163.00

10. Device type:

Gas unit

11. Construction type of device:

With substructure

12. Power gas [kW]:

22.500

13. Ignition:

Piezo+večný plamen

14. Type of gas:

Natural gas, propane butane

15. Protection of controls:

IPX4

16. Material:

AISI 304 top plate, AISI 430 cladding

17. Drain valve diameter:

2"

18. Worktop type:

Molded - comfortable cleaning maintenance

19. Worktop material:

AISI 304

20. Worktop Thickness [mm]:

1.50

21. Device heating type:

Indirect

22. Basin volume [l]:

100

23. Maximum device temperature [°C]:

105

24. Service accessibility:

Trough the frontal panel

25. Safety thermostat:

Yes

26. Adjustable feet:

Yes

27. Bottom material:

AISI 316

28. Usable volume [l]:

96

Technical data sheet



Technical parameters

Boiling kettle gas indirect 100 l

Model

SAP Code

00012283

29. Filling:

Mechanical cock

33. Overflow:

Yes

30. Jacket filling:

Semi-automatic

34. Manometer:

Yes

31. Steam pressure regulation:

Mechanical - the valve releases steam at high pressure

35. Water filling type:

Both cold and warm

32. Type of drain valve:

conical

36. Drain:

Yes